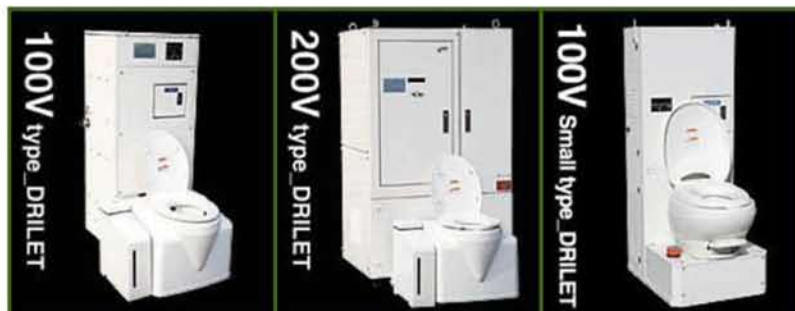


Dri-Let® Self-Contained, Compact, Portable, Electric Powered Toilet System



Model		100 Volt Type	200 Volt Type	100 Volt Compact Type
Model No.		NDL100Y-V	NDL200Y-V	NDL100YS
Power Source		100V 1 Phase 50/60 Hz	200V 3 Phase 50/60 Hz	100V 1 Phase 50/60 Hz
		15A	30A	15A
Max. Electric Consumption (kW)		1.4kW	7.6kW	1.2kW
Electric Consumption (kW)		1.2 kWh/hr	4.5 kWh/hr	1.0 kWh/hr
Processing Method		24-hour complete auto drive, electric drier, catalytic converter (fumes & odor removal), batch method, auto ash collection in vacuum bags		
Processing Capacity	Processing Volume (gal/day)	3 gal/day	11.8 gal/day	2.1 gal/day
	Usage per Day	20 men's urinal or 10 solids	80 men's urinal or 50 solids	10 urinal or solids
Toilet System		Ultra low water consumption vacuum (Material : FRP)		Pedal flush (Material : Resin)
Storage Tank Capacity (Gal)		1.8 gal	5.5 gal	1.05 gal
Flush Water Tank Capacity (Gal)		5.2 gal (Refillable) Direct connection to water supply also available.		2.2 gal (Refillable)
Collection Method		2 qt capacity, automatically collected into paper bags, replacement indicator light	5 qt. capacity, automatically collected into paper bags, replacement indicator light	2 qt capacity, automatically collected into paper bags, replacement indicator light
Dimensions (in)	Toilet	29"(W)×23"(L)×19"(H)		22"(W)×33"(L)×57"(H)
	Processor	24"(W)×20"(L)×57"(H)	40"(W)×30"(L)×66"(H)	
Weight (Lbs)	Toilet	110 lbs.		385 lbs.
	Processor	485 lbs.	1345 lbs.	
Optional Accessories		Extension pipe, Paper holder, Pipe hood		Extension pipe, Paper holder

Notes: The toilet and processor may be installed separately for the 100V and 200V models. Specifications may change without any notice. The number of daily usage may differ, depending upon each individual. Please use our numbers as reference only. The number of usage is not continuous. Replacement of paper bag is very dependent on the number of toilet usage. One usage includes waste and flush water; calculated as: men's urinal - 16 oz and Solids-28 oz. Exhaust pipe should be ventilated to outside. Periodic inspection is necessary to maintain better toilet condition. Evaporation process may change based on the outside temperature.

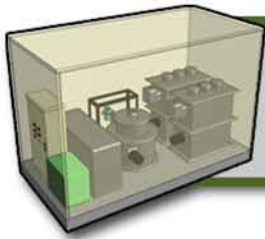
For more information, please contact us at:



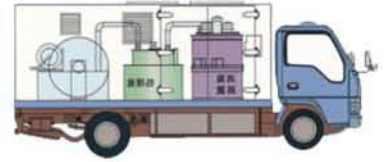
DriLet-America
A division of PDA, LLC
1776 Legacy Circle, Suite# 115, Naperville, IL 60563 USA
www.DriLet-America.com
Email: info@DriLet-America.com
Toll Free: 877-4DRI-LET (877-437-4538)



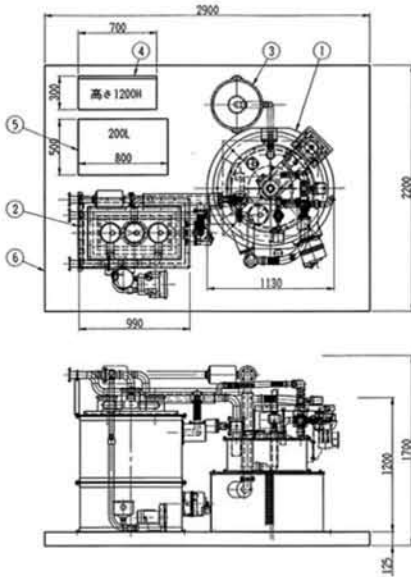
PDA LLC
Providing engineering and manufacturing solutions in
Military & Transportation
www.PDA-LLC.com
Email: info@PDA-LLC.com
Telephone: (630) 973-0576 Fax: (630) 585-3006



Dri-Let® Mobile Thermal Waste Processor Models



Model PDA-Type A

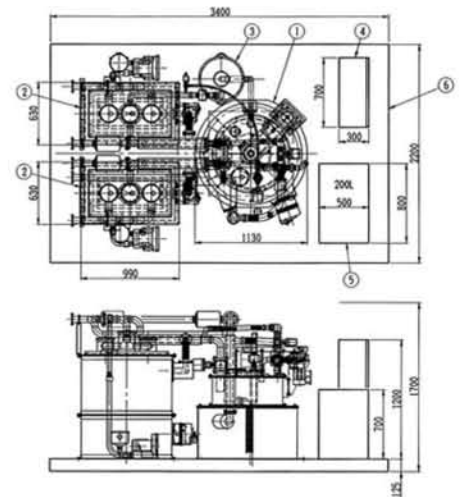


Main Components

1. Processor
2. Catalytic Converter
3. Dust Collector
4. Control Box
5. Waste Holding Tank
6. Skid

Standard units are skid mounted. Auxiliary waste holding tank, fuel tank, truck chassis, power generator, waste separator, suction pump, container, hoses and other accessories not shown and are optional. Additional models available with different power (electric or burner type) and processing capacity options.

Model PDA-Type B

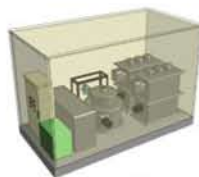


	PDA Type A	PDA Type B
Waste Processing Capacity	50 L per 8 hrs.	120 L per 8 hrs
Processing Method	Fuel Burner Type	Fuel Burner Type
Waste Holding Tank	200L	200L /500L
Overall Size(LxWxH)	115"x 87" x 67"	134"x 87" x 67"
Overall weight	4000 Lbs	5000 Lbs

COMMERCIAL APPLICATIONS

- Multiple Toilets/Latrines
- Toilet Cars
- Mobile Homes and Campers
- Luxurious Boats
- Special Events
- Parks and Camping sites
- Coach Buses
- Disaster Relief Efforts (FEMA)
- Homeland Security
- Trains, Airports and Train Stations
- Power Plants
- Heavy Construction Sites

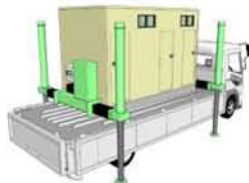
Containerized Processor Options



Processing Container



Truck Mounted



Elevation Type Container



Stationary Container

MILITARY APPLICATIONS

- Hygiene Centers for Mobile Hospitals
- Field Hospitals
- CP-DEPMEDS
- DEPMEDS
- EMEDS
- Containerized Latrines
- Homeland Security
- Homeland Defense
- Base Camps
- Combat Support Hospital Shelter
- Medical Shelters
- Bare-Base (BEAR) Shelter
- Special Operations Shelters
- Command & Control Centers
- Ships & Carriers
- US AID & Relief Efforts

For more information, please contact us at:



Dri-Let-America
 A division of PDA, LLC
 1776 Legacy Circle, Suite# 115, Naperville, IL 60563 USA
 www.DriLet-America.com
 Email: info@DriLet-America.com
 Toll Free: 877-4DRI-LET (877-437-4538)



PDA LLC
 Providing engineering and manufacturing solutions in
 Military & Transportation
 www.PDA-LLC.com
 Email: info@PDA-LLC.com
 Telephone: (630) 973-0576 Fax: (630) 585-3006